

TL 1200

- The coupling devices TL* are used to adapt the input circuits of the insulation monitoring device to a higher operating voltage than the operating voltage of the IMD directly.
- The coupling units are connected between IT power supply system and insulation monitoring device.

Type		TL 1200
Rated operating AC voltage	U_N	1 200 V
Maximum continuous operating voltage AC	U_C	1 440 V
Designed for insulation monitoring device		HIG97
Maximal operating current AC	I_C	< 3 x 3 mA
Internal resistance	R_{IN}	3 x 6,9 kΩ
Internal inductance	L_{IN}	3 x 300 H
Offset for insulation monitoring device	$R_{tl ext}$	2.3 kΩ
Housing material		PS
Degree of protection		IP62
Operating temperature	θ	-25 ÷ 55 °C
Recommended cross-section of connected conductors	S	1.5 mm ²
Installation		On the mounting plate
Operating position		Any
Operation type		Permanent
Lifetime		> 100 000 h
Use for traction		No
Designed according to standards		
Insulation coordination for equipment within low-voltage systems		IEC 60664-1:2007
Safety of power transformers, power supplies, reactors and similar		IEC 61558-1:2005
Ordering, packaging and additional data		
Mass	m	1.397 kg
Mass (including the packaging)	m	1.493 kg
Packaging dimensions (H x W x D)		108 x 258 x 153 mm
Packaging value	V	4.26 dm ³
Customs tariff no.		90303370
EAN code		8590681701201
Art. number		70 120

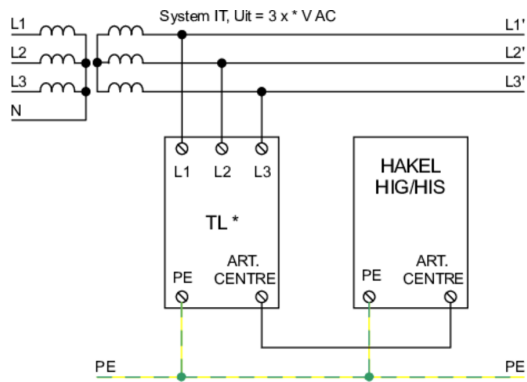


The link in the QR code leads to the online presentation of the TL 1200. There, in addition to the always up-to-date data sheet, you will also find all diagrams and drawings, declarations of conformity, or 2D or 3D models and other necessary materials. For more information, visit www.hakel.com



8590681701201

Application wiring diagram (installation)



Internal diagram

